

010-0200  
Non-Locking L-Handle



010-0300  
Locking L-Handle



**DESIGNED FOR:**

- General purpose use for off-highway cab doors or storage, compartment and access doors for on or off-highway applications

**FEATURES/BENEFITS:**

- Ample finger clearance
- Easily installed with oval or flat head #10 fasteners (not included)
- Locking L-handle assembly provides 360° rotation and locks at 90° increments

**Global Locations:**

**TriMark Corporation**  
500 Bailey Avenue  
P.O. Box 350  
New Hampton, Iowa 50659  
United States  
Tel: 641-394-3188  
Fax: 641-394-2392  
1-800-447-0343  
www.trimarkcorp.com

**TriMark Europe**  
Cedar Court  
Walker road  
Bardon Hill  
Coalville LE67 1TU  
United Kingdom  
Tel: +44(0)1530 512460  
Fax: +44(0)1530 512461  
www.trimarkeu.com

**TriMark (Xuzhou)**  
Building A5 Jingwu Road  
Xuzhou Economic  
Development Zone  
Xuzhou, Jiangsu  
221004 PR China  
Tel: +86 516 8773 0018  
Fax: +86 516 8773 0058  
www.trimarkcn.com



TriMark. Interactive. Product. Selector



TriMark



TriMark Corporation

### AVAILABLE:

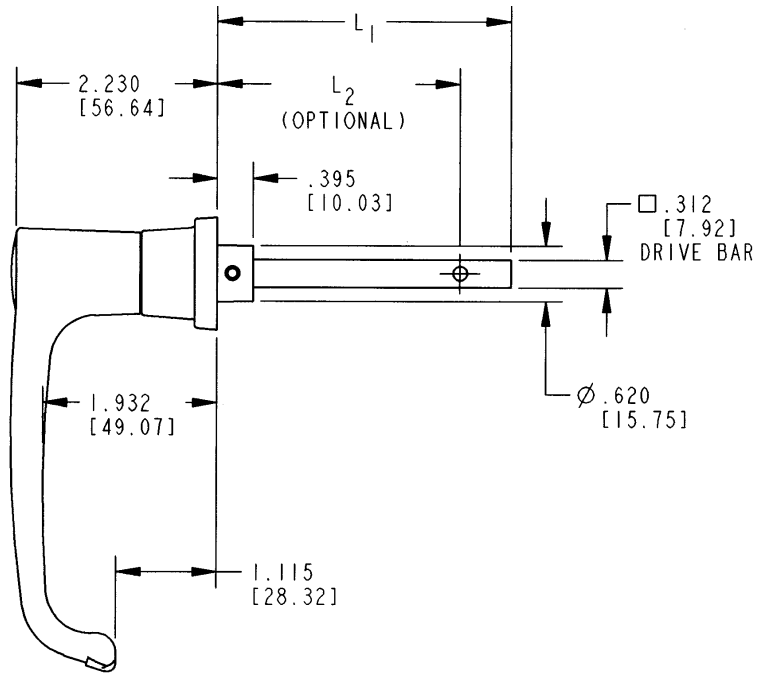
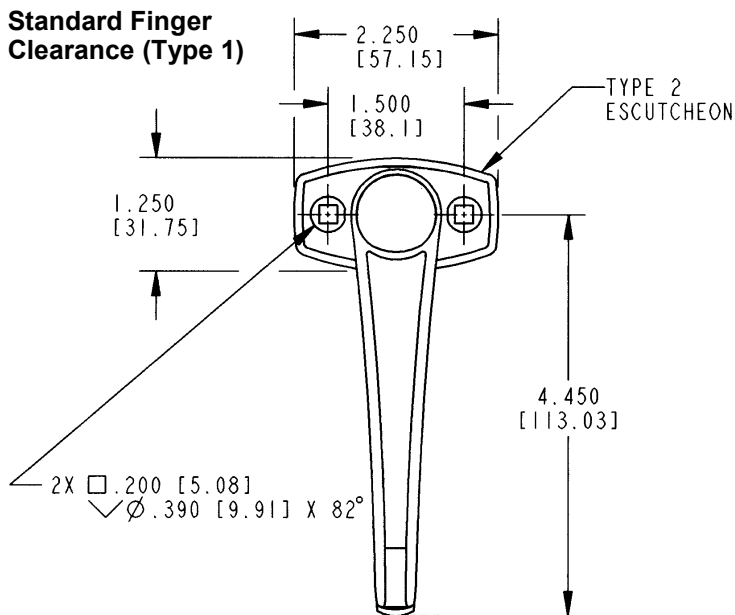
- Mounting hole patterns and escutcheons (bases) for different finger clearances
- Drive bar lengths, with or without holes or threaded rods
- Keyed CH751 and other key codes
- Drive bar attached to handle by drilling and pinning
- Locking or non-locking:
  - ◊ Standard finger clearance (Type 1 and 2)
  - ◊ Extended finger clearance (Type 4)
- 1.50" (3.81mm) or 1.75" (4.45mm) mounting hole spacing

### SPECIFY WHEN ORDERING:

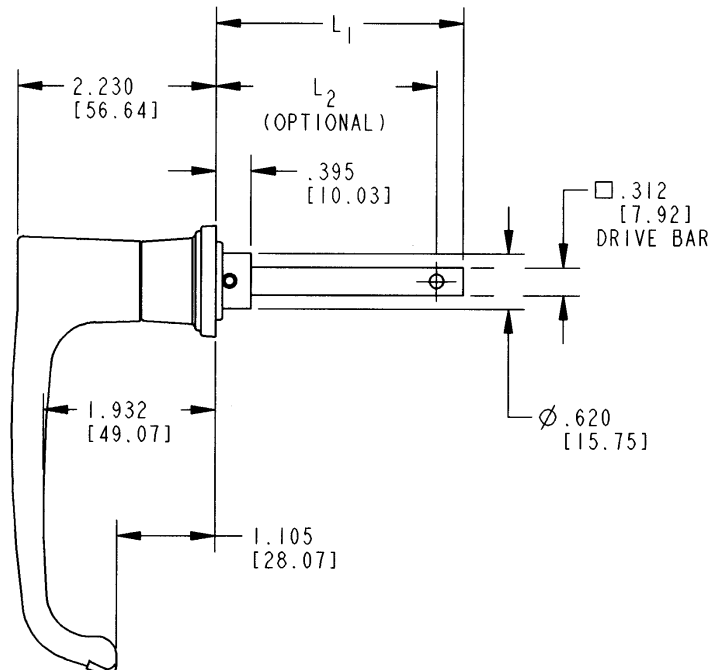
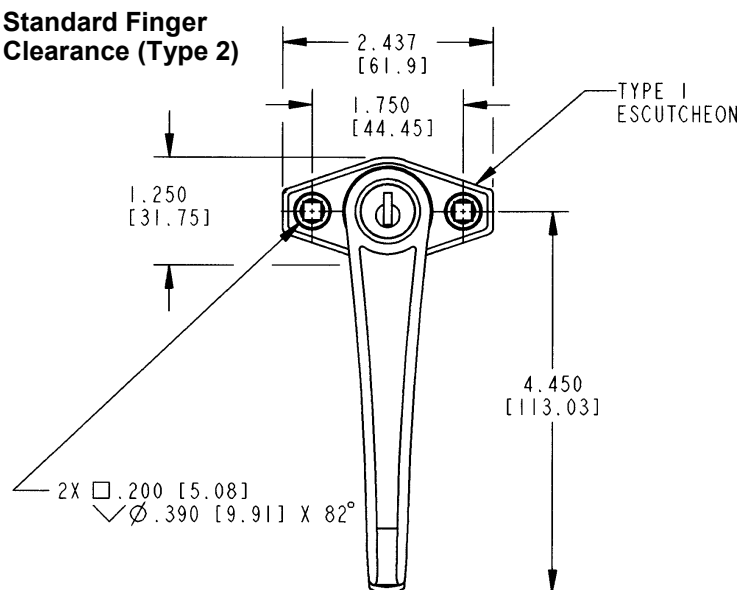
- Series number
- Escutcheon type
- Drive bar length (L1) and optional hole location (L2)

For more information visit  
[www.trimarkcorp.com](http://www.trimarkcorp.com)

### Standard Finger Clearance (Type 1)



### Standard Finger Clearance (Type 2)



**MATERIAL:**

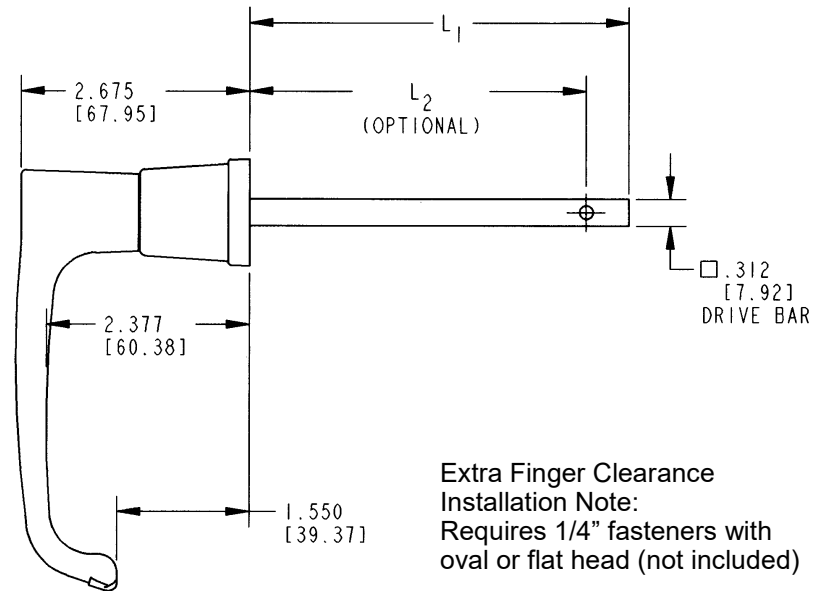
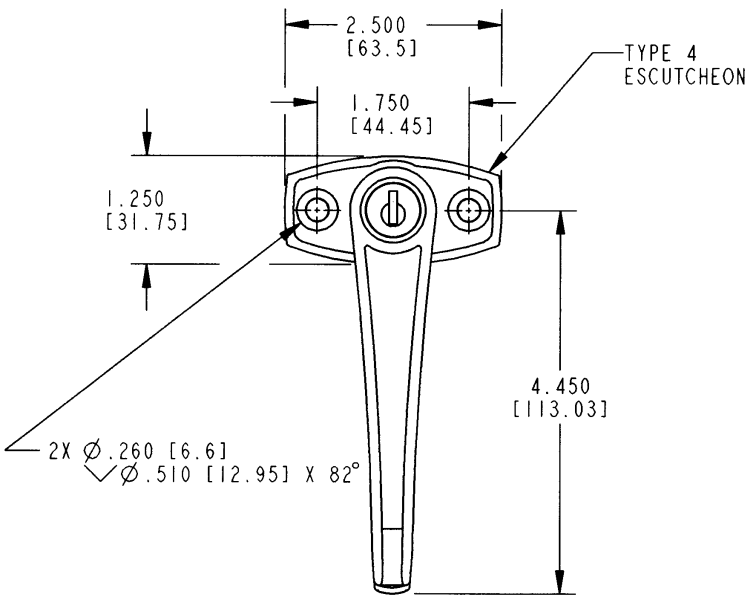
- Handle and escutcheon: die cast zinc alloy
- Drive bar: mild steel

**FINISH**

- Handle and escutcheon: copper-nickel chrome plated; or black powder coated
- Drive bar: mill finish

Individual part dimensions are for reference only. Refer to individual part drawings for complete dimensions, specifications, and installation procedures. Engineering assistance and application drawings are available.

**Extra Finger Clearance (Type 4)**



Extra Finger Clearance  
Installation Note:  
Requires 1/4" fasteners with  
oval or flat head (not included)